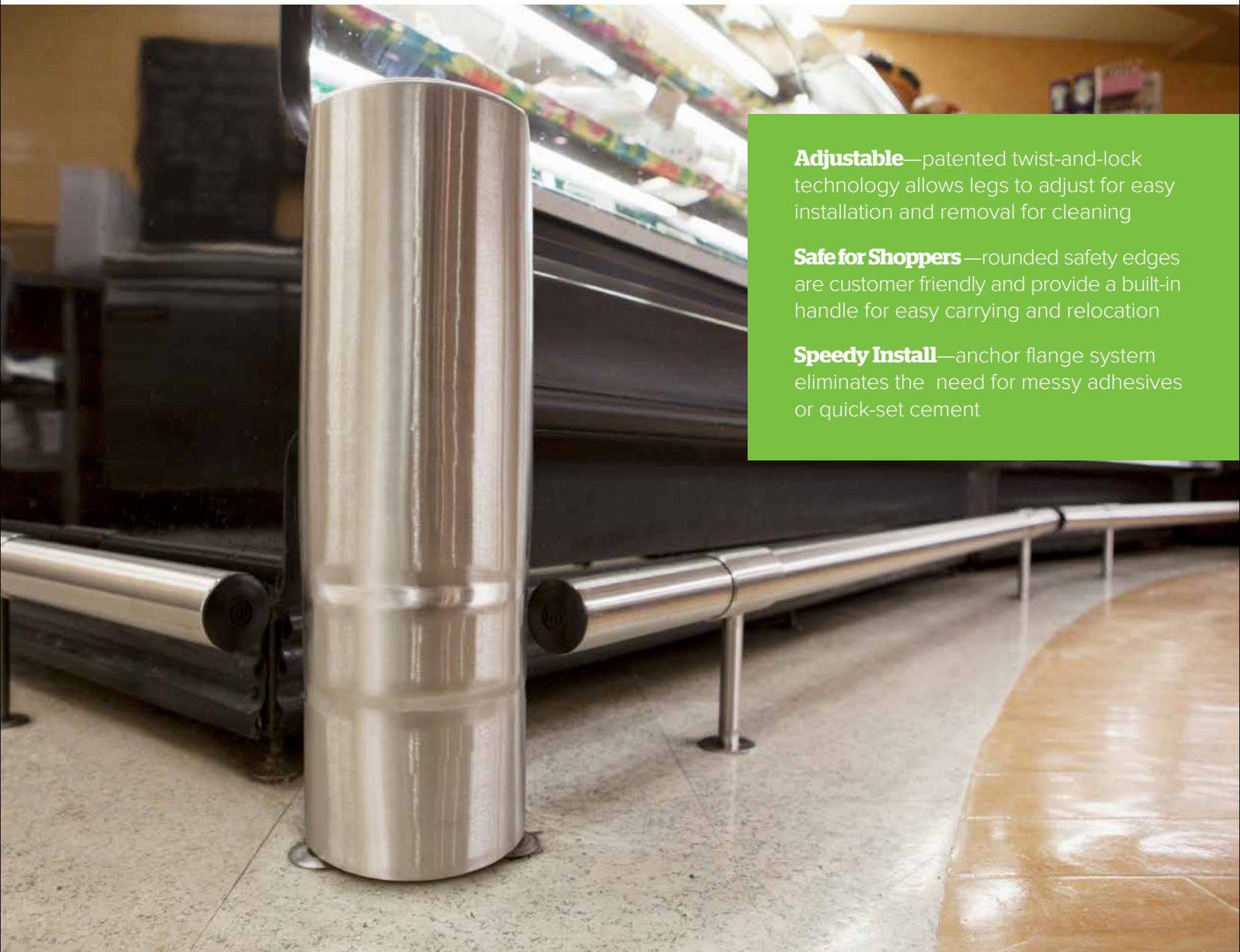


# Corner Guard Stainless

With CleanFit™ Installation



**Adjustable**—patented twist-and-lock technology allows legs to adjust for easy installation and removal for cleaning

**Safe for Shoppers**—rounded safety edges are customer friendly and provide a built-in handle for easy carrying and relocation

**Speedy Install**—anchor flange system eliminates the need for messy adhesives or quick-set cement

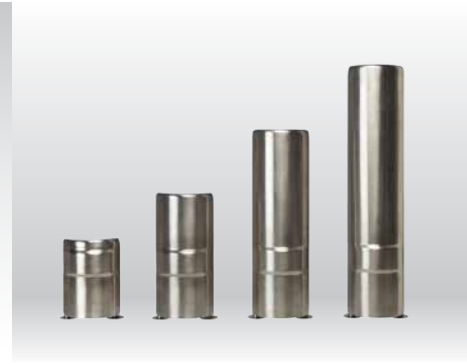
## Stay clean and protected with our newest easy-to-install, clean fitting guard.

Our stainless steel corner guards are ideal for retailers wanting the premium look of brushed steel with robust asset protection. A patented twist-and-lock anchor system allows legs to adjust up to ¼" in either direction for quick installation and a secure, **CleanFit™**. Guards remove and replace easily for cleaning, and sit slightly off the floor to avoid unsightly buildup of dirt and wax. Close mounting to walls, shelving and display cases eliminates trip hazards and frees up valuable merchandising space.



# Corner Guard Stainless

With CleanFit™ Installation



## Features:

- leg posts adjust up to 1/4" in either direction for strong fit and easy removal
- built-in wrench for quick, on-site adjustments
- integrated handle for easy carrying and positioning
- installs quickly and securely with our patented flange anchor system—eliminates messy adhesives

## Specifications:

### Sizes and Lead Times:

Available to ship within 2 weeks:

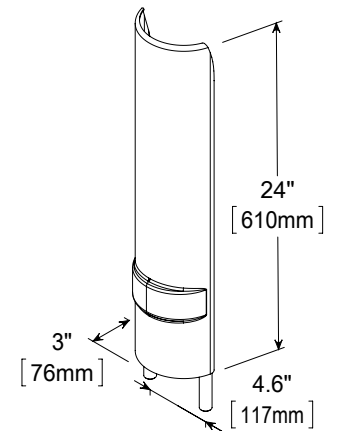
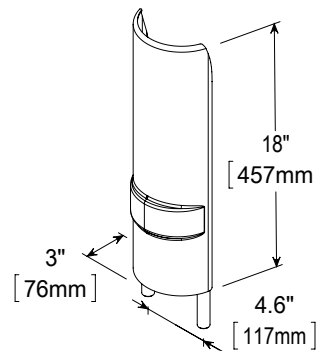
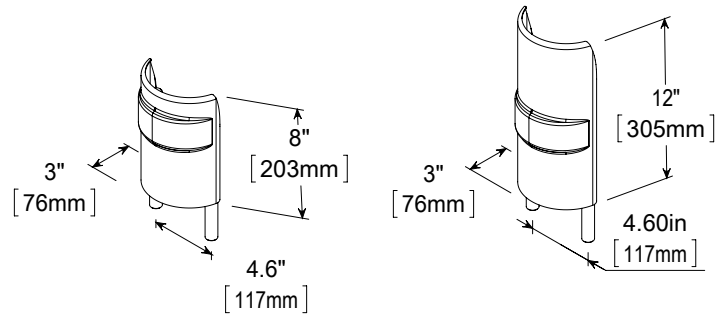
**8" Height:** GARD-8-SS

**12" Height:** GARD-12-SS

**18" Height:** GARD-18-SS

**24" Height:** GARD-24-SS

All sizes include 2 flange anchor kits and a built-in wrench for leg post adjustments.



Patent numbers 7,587,790; 7,507,051; 6,260,237

800.800.8503    [customercare@mccue.com](mailto:customercare@mccue.com)    [mccue.com](http://mccue.com)

