

McCue Corporation

CartStop FlexPost

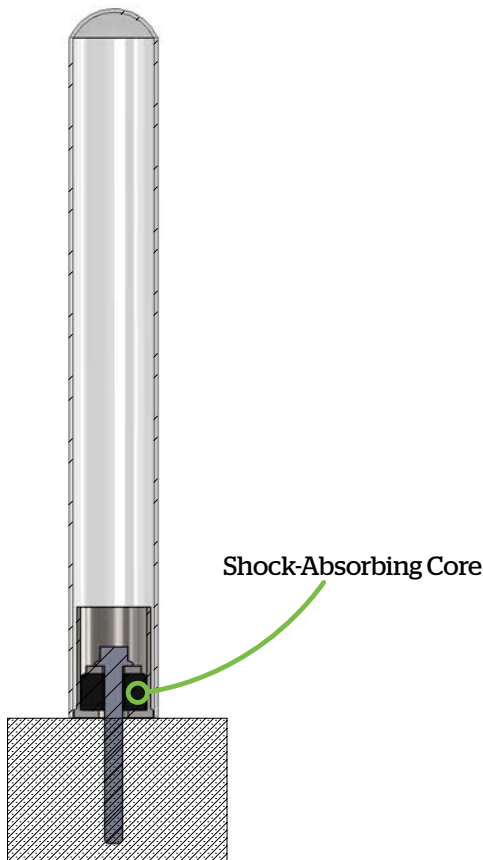


CartStop Stainless Steel FlexPost keeps retail stores looking new longer. Not only does it provide the sleek, clean look of stainless steel, the shock-absorbing technology in our FlexPost actually absorbs high impact hits from shopping carts, stock carts and floor cleaners for maximum damage protection. Plus, it's easy to install and relocate - no core drilling or messy adhesives required!

TOUGH: This amazingly strong stainless steel post provides maximum damage protection in your sales area.

SHOCK ABSORBING: Patent-pending shock absorbing design actually absorbs impact hits to protect your assets.

SPEEDY INSTALL: Simple to install and easy to remove for relocation or replacement.



www.mccue.com

CartStopFlexPost

McCue Corporation

Cart**Stop FlexPost**

CSFP-3-24-KIT

CSFP-3-32-KIT

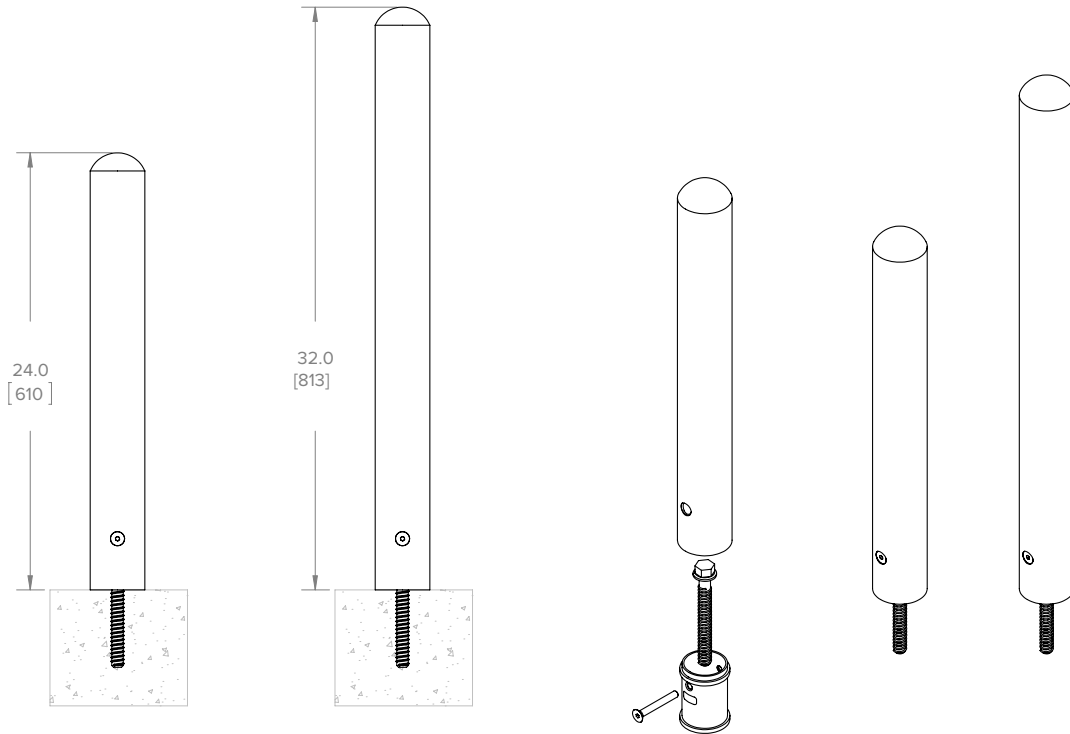


FIG. 2

Patent Pending



McCue
Corporation

McCue Corporation
35 Congress Street, Suite 150, Salem, MA 01970 USA
Phone: (800) 800-8503 or (978) 741-8500
Fax: (978) 741-2542
Email: cservices@mccue.com

www.mccue.com

Placing an order:

There are five easy ways to order:

- 1) E-mail your order: cservices@mccue.com
- 2) Phone our toll-free number: (800) 800-8503 or call (978) 741-2542
- 3) FAX in your order: (978) 741-2542
- 4) Mail in your purchase order
- 5) Online at www.mccue.com