

McCue Corporation

CartStop SP

If you've got something to protect from wild-eyed floor polishers or out-of-control stock carts, then CartStop Super is for you. It's great for high volume areas like warehouse stores and cart storage areas. Nothing provides this kind of stand up protection.


INNOVATIVE: Designed to be strong, look good and be easy to maintain

REMOVABLE: CartStop SP can be removed for easy floor cleaning.

SPEEDY INSTALL: Anchor flange system eliminates the need for messy adhesives or quick-set cement. Just drill and pound in the anchor flange/sleeve assembly. Job done.



Truly Green

- Polycarbonate bumper insert is 100% chlorine free (PVC free and Vinyl free) and is 100% recyclable. 
- Does not emit hazardous dioxins if incinerated during waste disposal.
- Aluminum rail and stainless steel legs are recyclable.



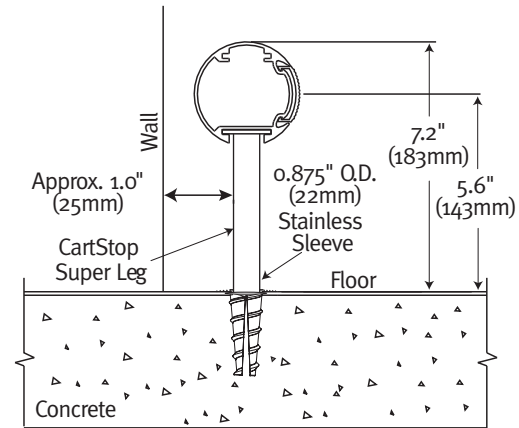
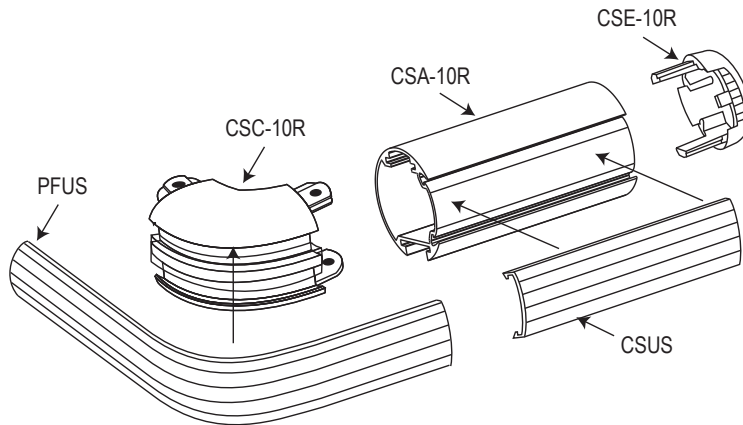
www.mccue.com



CartStop SP

McCue Corporation

CartStop SP



Drill 1" (25mm) dia. hole 3.25" (76mm) deep. Add anchoring cement per instructions insert sleeve until flush with floor Wipe away excess cement.



McCue
Corporation

McCue Corporation
35 Congress Street, Suite 150, Salem, MA 01970 USA
Phone: (800) 800-8503 or (978) 741-8500
Fax: (978) 741-2542
Email: cservices@mccue.com

www.mccue.com

©2010 McCue Corporation. Printed in USA
Patent 6,991,413.

Placing an order:

There are five easy ways to order:

- 1) E-mail your order: cservices@mccue.com
- 2) Phone our toll-free number: (800) 800-8503 or call (978) 741-2542
- 3) FAX in your order: (978) 741-2542
- 4) Mail in your purchase order
- 5) Online at www.mccue.com

(Rev. 12/10)